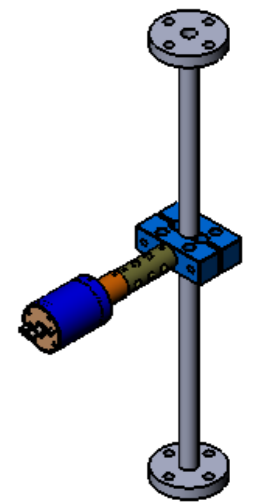
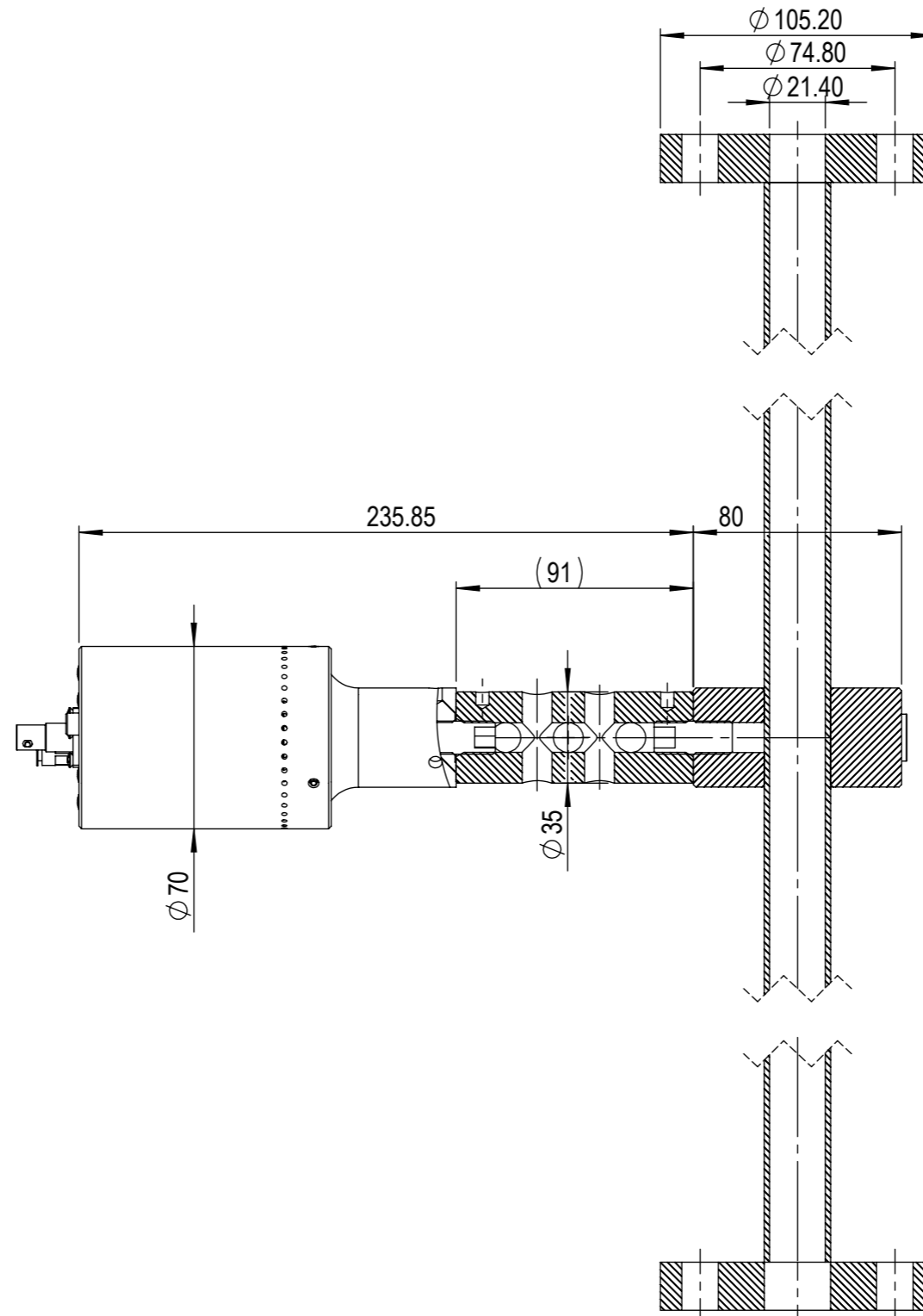
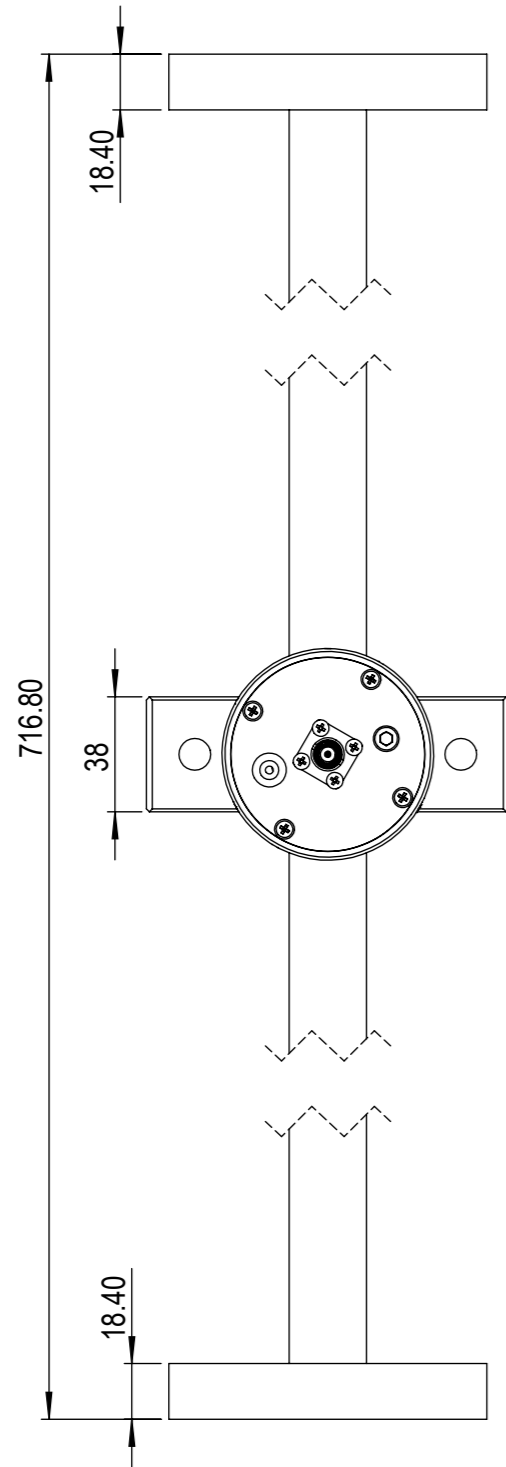


Enable 3D View

Enable 3D View



PROJECT DIRECTOR M.Prokic	DATE 09.07.2013	DEBUR AND BREAK SHARP EDGES	DO NOT SCALE DRAWING	REVISION				
drew H. Puga	DATE MODIFY		MPI-ULTRASONICS MARAIS 36 2400 Le Locle Switzerland e-mail : mpi@mpi-ultrasonics.com phone +41 (0) 32 9314045					
MATERIAL:								
General tolerance SN 258440								
dimension nominale (mm)	>3 ...6	>6 ...30	>30 ...120	>120 ...400	>400 ...1000	>1000 ...2000	Umicore Clamp - On	
Ecart (mm)	± 0.05	± 0.1	± 0.15	± 0.2	± 0.3	± 0.5	SCALE: 1:1	
							SHEET 1 OF 1	A3

Enable 3D View

